

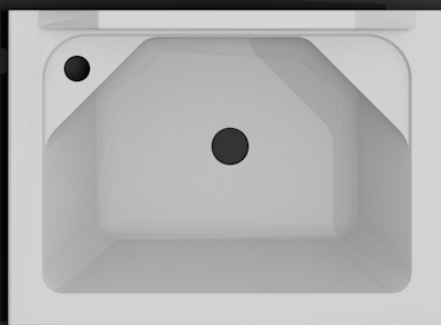
25 years

Form-Function-Hygiene  
Professional solutions for producers  
of sanitary containers



# M 580-420

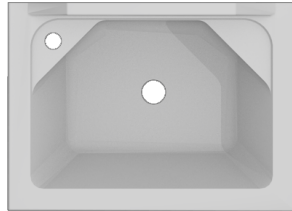
SINGLE BASIN



ABOUT US
TECHNOLOGY
PRODUCTS
SHOWER CABINS
ZK 762
ZK 813
ZK 900
KK 813
ZK 815
ACCESSORIES
TOILET CABINS
WA 813-2100
WK 813-2100
WT 813-2100
WTF 813-1400
WZF 813-2100
ACCESSORIES
BASINS
M 580-510
<b>M 580-420</b>
M1160-420
M 580-340
V 1160-420
ACCESSORIES
COMFORT MODULE
URINAL
PI 315-820
PI 315-940
INTIMATE WALL
IF 950-400
CONTAINER PLANS
CONTACT

**M 580-420 S single basin**

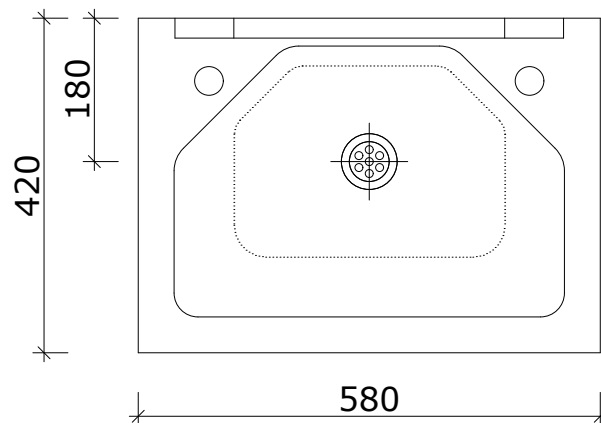
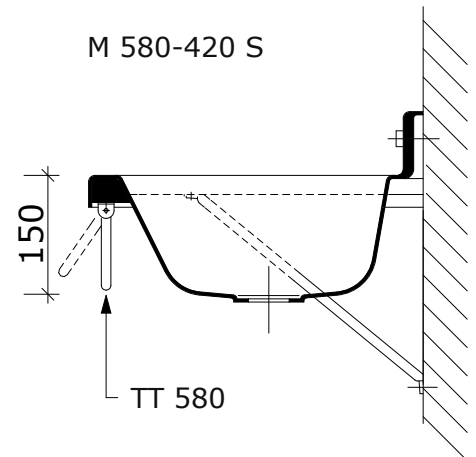
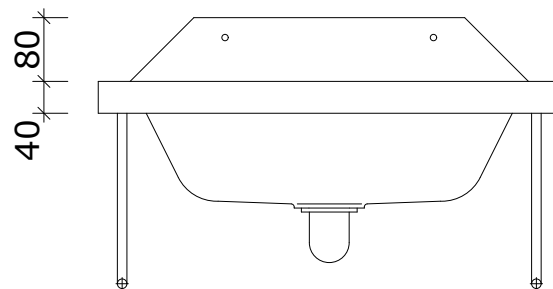
**M 580-420 S**



- Single basin
- In fiber glass fixed version (S)
- Supplied with siphon and assembling kit

Type	€/pc.
M 580-420 S	49,-

When ordering, please give us the wall panel type and thickness in mm.





Form-Function-Hygiene

Professional solutions for producers  
of sanitary containers



<b>ABOUT US</b>
<b>TECHNOLOGY</b>
<b>PRODUCTS</b>
<b>SHOWER CABINS</b>
ZK 762
ZK 813
ZK 900
KK 813
ZK 815
ACCESSORIES
<b>TOILET CABINS</b>
WA 813-2100
WK 813-2100
WT 813-2100
WTF 813-1400
WZF 813-2100
ACCESSORIES
<b>BASINS</b>
M 580-510
M 580-420
M1160-420
M 580-340
V 1160-420
ACCESSORIES
<b>COMFORT MODULE</b>
<b>URINAL</b>
PI 315-820
PI 315-940
<b>INTIMATE WALL</b>
IF 950-400
<b>TUBULAR HOUSING</b>
<b>CONTAINER PLANS</b>
<b>CONTACT</b>

## Contact

### ACRYLTECHNIKA LTD.

#### Office:

H – 2051 Biatorbágy, Bethlen Gábor u. 44/a.  
Tel. +36 30 949 5668  
info@acryltechnika.hu  
acryltechnika.hu

#### Receipt of goods:

H – 2040 Budaörs, Iparos utca 3-5.  
Tel. +36 30 373 6402