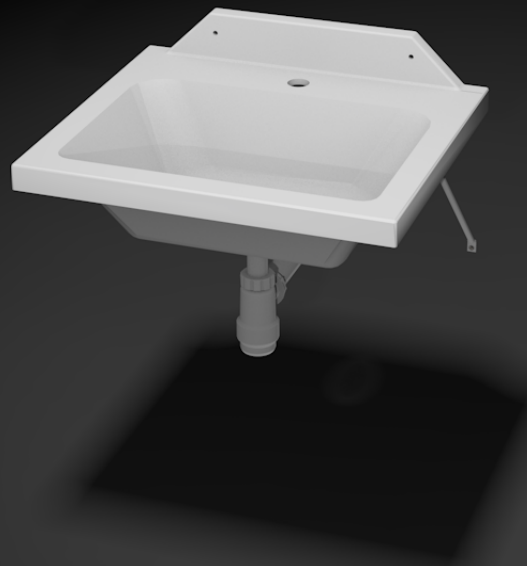


25 years

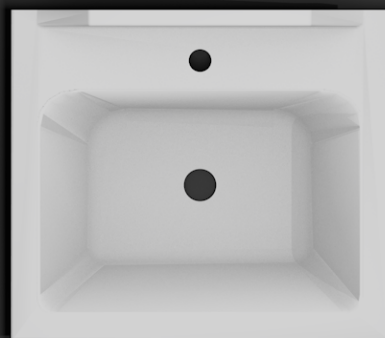
Form-Function-Hygiene

Professional solutions for producers
of sanitary containers



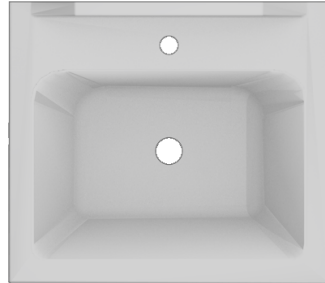
M 580-510

SINGLE BASIN



ABOUT US
TECHNOLOGY
PRODUCTS
SHOWER CABINS
ZK 762
ZK 813
ZK 900
KK 813
ZK 815
ACCESSORIES
TOILET CABINS
WA 813-2100
WK 813-2100
WT 813-2100
WTF 813-1400
WZF 813-2100
ACCESSORIES
BASINS
M 580-510
M 580-420
M1160-420
M 580-340
V 1160-420
ACCESSORIES
COMFORT MODULE
URINAL
PI 315-820
PI 315-940
INTIMATE WALL
IF 950-400
CONTAINER PLANS
CONTACT

M 580-510 S single basin

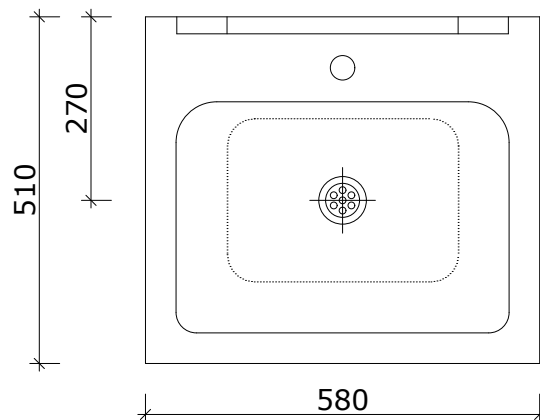
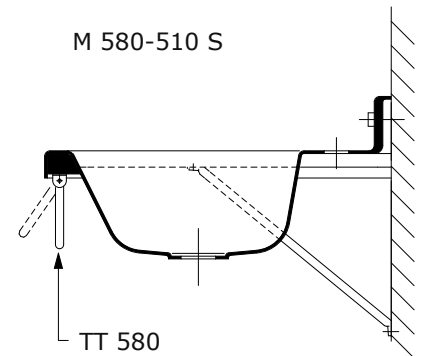
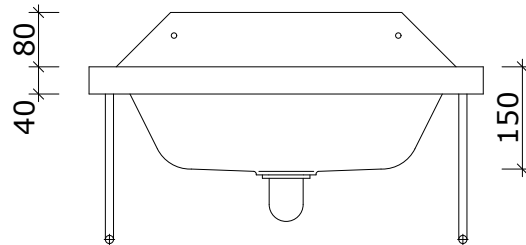


M 580-510 S

- Single basin with big packing surface and middle pinhole
- In fiber glass fixed version (S)
- Supplied with siphon and assembling kit

Type	€/pc.
M 580-510 S	59,-

When ordering, please give us the wall panel type and thickness in mm.





Form-Function-Hygiene

Professional solutions for producers
of sanitary containers



ABOUT US
TECHNOLOGY
PRODUCTS
SHOWER CABINS
ZK 762
ZK 813
ZK 900
KK 813
ZK 815
ACCESSORIES
TOILET CABINS
WA 813-2100
WK 813-2100
WT 813-2100
WTF 813-1400
WZF 813-2100
ACCESSORIES
BASINS
M 580-510
M 580-420
M1160-420
M 580-340
V 1160-420
ACCESSORIES
COMFORT MODULE
URINAL
PI 315-820
PI 315-940
INTIMATE WALL
IF 950-400
TUBULAR HOUSING
CONTAINER PLANS
CONTACT

Contact

ACRYLTECHNIKA LTD.

Office:

H – 2051 Biatorbágy, Bethlen Gábor u. 44/a.
Tel. +36 30 949 5668
info@acryltechnika.hu
acryltechnika.hu

Receipt of goods:

H – 2040 Budaörs, Iparos utca 3-5.
Tel. +36 30 373 6402